

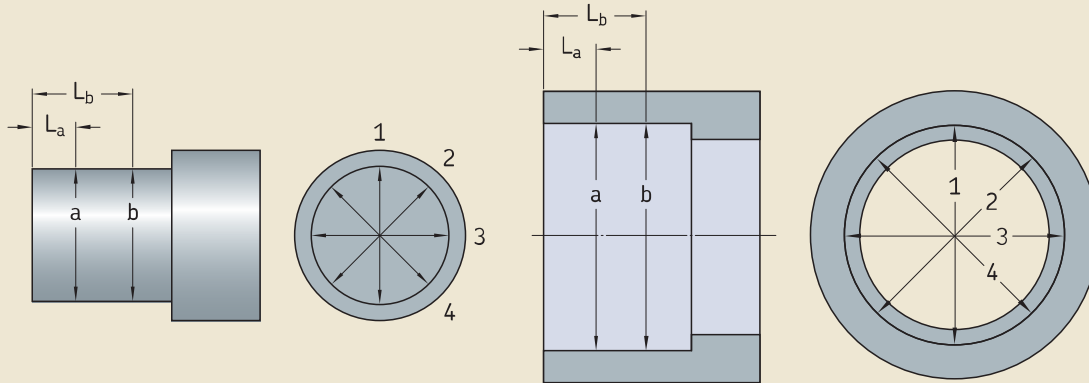
# Mounting rolling bearings

Measurement report form

Bearing:

Bearing position:

Application:



Measuring directions	Shaft Measurement values [mm] at place				Housing Measurement values [mm] at place			
	a	b	(c)	(d)	a	b	(c)	(d)
	Distance L				Distance L			
	Diameter d				Diameter D			
1								
2								
3								
4								
	Calculated mean: $(1+2+3+4)/4$				Calculated mean: $(1+2+3+4)/4$			

Remarks:

Date:

Checked by: